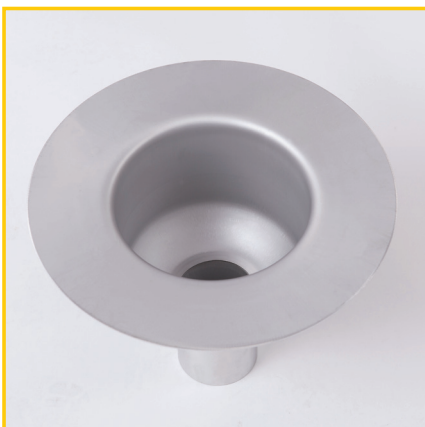


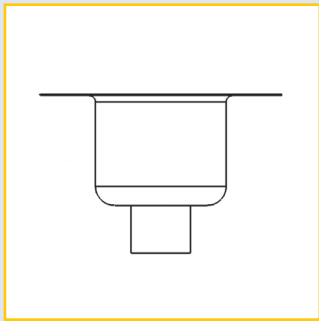
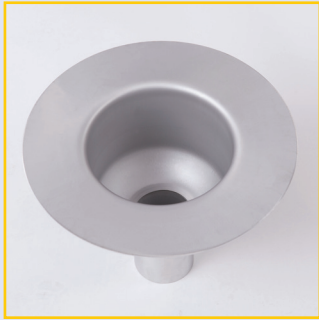
MVH Floor drains

MVH floor drains are used in the 2-part water drainage system, including on box channels and slotted channels, but also as bottom elements on MVH point drains. In order to connect the second water drainage level, drains are available either as adhesive or compression seal flanges. Standard configurations of our drains are available with vertical or horizontal drain spout in nominal sizes DN 70 and DN 100. Other nominal sizes, e.g. DN 125 or DN 150 are also available on request. All drains are equipped with dirt collectors and available with a choice of material grades V2A (1.4301) and V4A (1.4571). MVH floor drains are also available in a high-strength version pursuant to DIN 18195 Part 9 with 6 mm thick compression seal flange.



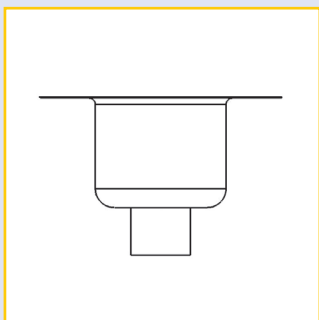
MHV floor drain bottom elements for 2-part water drainage systems

Floor drains DN 70, DN 100, vertical, with adhesive flange



Floor drains DN 70 with adhesive flange

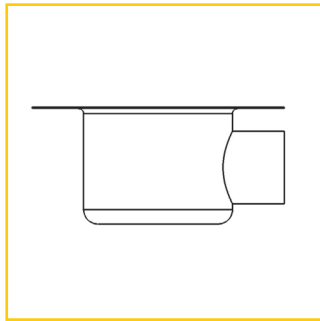
vertical, V2A: Part No. 17007057
vertical, V4A: Part No. 17007096



Floor drains DN 100 with adhesive flange

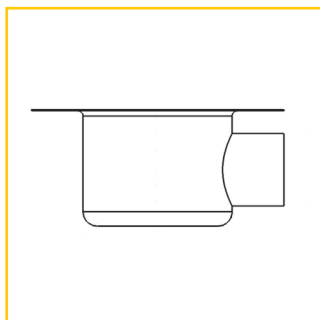
vertical, V2A: Part No. 17007053
vertical, V4A: Part No. 17007092

Floor drains DN 70, DN 100, horizontal, with adhesive flange



Floor drains DN 70 with adhesive flange

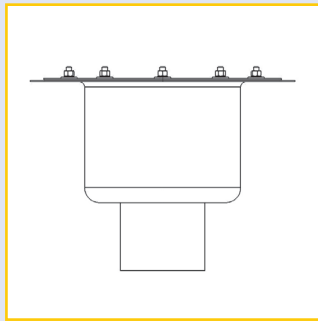
horizontal, V2A: Part No. 17007056
horizontal, V4A: Part No. 17007095



Floor drains DN 100 with adhesive flange

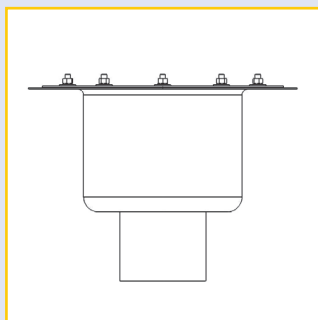
horizontal, V2A: Part No. 17007052
horizontal, V4A: Part No. 17007091

Floor drains DN 70, DN 100, vertical, with compression seal flange



Floor drains DN 70 with compression seal flange

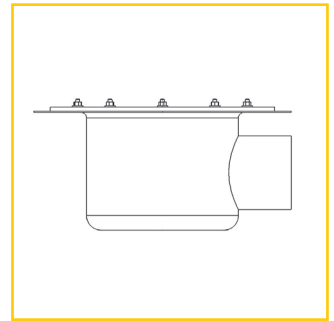
vertical, V2A: Part No. 17007058
vertical, V4A: Part No. 17007097



Floor drains DN 100 with compression seal flange

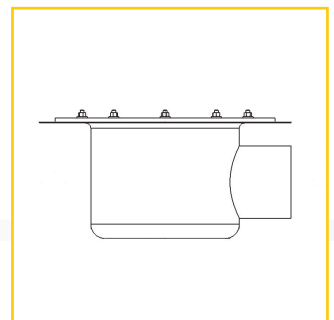
vertical, V2A: Part No. 17007054
vertical, V4A: Part No. 17007093

Floor drains DN 70, DN 100, horizontal, with compression seal flange



Floor drains DN 70 with compression seal flange

horizontal, V2A: Part No. 17007059
horizontal, V4A: Part No. 17007098



Floor drains DN 100 with compression seal flange

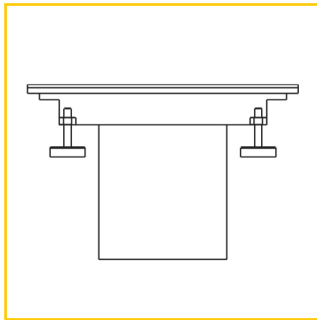
horizontal, V2A: Part No. 17007055
horizontal, V4A: Part No. 17007094

MVH individual drains

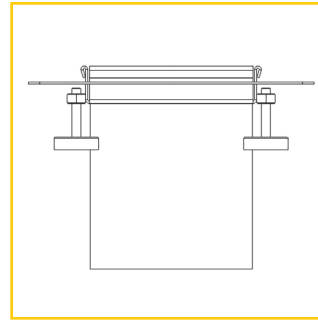
as MVH drain boxes as upper elements for 2-part water drainage system

MVH drain boxes are combined as the upper elements with floor drain bottom elements in 2-part water drainage systems.

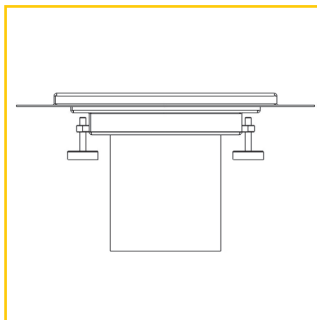
Drainage profiles



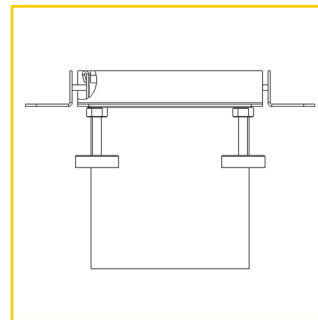
ZA1.1
Drainage box with wrap-around raised step



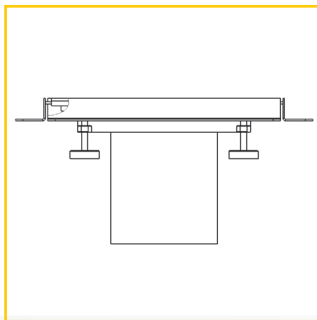
ZA2.2
Drainage box with wrap-around thin substrate flange and crimped top edge



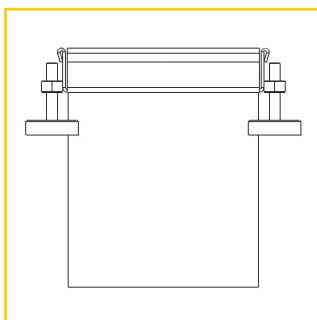
ZA1.2
Drainage box with wrap-around exposed step and thin substrate flange



ZA2.3
Drainage box with wrap-around tile angle and crimped top edge



ZA1.3
Drainage box with wrap-around raised step and tile angle



ZA2.1
Drainage box with crimped top edge

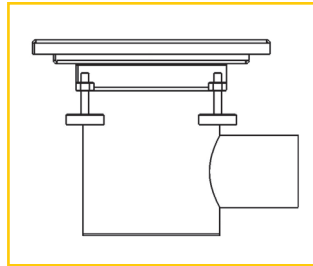
Drainage profile		Visible outside dimension	Material grade	Part No.
ZA1.1	Floor drain bottom element DN 70	Drainage box 300x300 mm	V2A (1.4301)	17007088
ZA1.2	Floor drain bottom element DN 70	Drainage box 300x300 mm	V2A (1.4301)	17007089
ZA1.3	Floor drain bottom element DN 70	Drainage box 300x300 mm	V2A (1.4301)	17007090
ZA1.1	Floor drain bottom element DN 70	Drainage box 300x300 mm	V4A (1.4571)	17007123
ZA1.2	Floor drain bottom element DN 70	Drainage box 300x300 mm	V4A (1.4571)	17007124
ZA1.3	Floor drain bottom element DN 70	Drainage box 300x300 mm	V4A (1.4571)	17007125
ZA2.1	Floor drain bottom element DN 70	Drainage box 200x200 mm	V2A (1.4301)	17007085
ZA2.2	Floor drain bottom element DN 70	Drainage box 200x200 mm	V2A (1.4301)	17007086
ZA2.3	Floor drain bottom element DN 70	Drainage box 200x200 mm	V2A (1.4301)	17007087
ZA2.1	Floor drain bottom element DN 70	Drainage box 200x200 mm	V4A (1.4571)	17007120
ZA2.2	Floor drain bottom element DN 70	Drainage box 200x200 mm	V4A (1.4571)	17007121
ZA2.3	Floor drain bottom element DN 70	Drainage box 200x200 mm	V4A (1.4571)	17007122
ZA1.1	Floor drain bottom element DN 100	Drainage box 300x300 mm	V2A (1.4301)	17007082
ZA1.2	Floor drain bottom element DN 100	Drainage box 300x300 mm	V2A (1.4301)	17007083
ZA1.3	Floor drain bottom element DN 100	Drainage box 300x300 mm	V2A (1.4301)	17007084
ZA1.1	Floor drain bottom element DN 100	Drainage box 300x300 mm	V4A (1.4571)	17007117
ZA1.2	Floor drain bottom element DN 100	Drainage box 300x300 mm	V4A (1.4571)	17007118
ZA1.3	Floor drain bottom element DN 100	Drainage box 300x300 mm	V4A (1.4571)	17007119

MHV floor drain for 1-part water drainage systems

The single-part MVH floor drains were designed for situations where no second water drainage level needs to be connected to the drains.

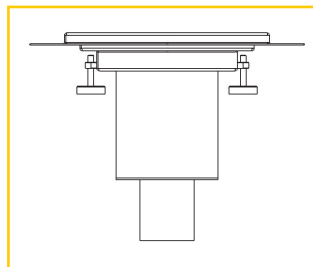
Drainage profile		Visible outside dimension	Material grade	Part No.
EA1.1	Individual drain DN 70, vertical	300x300 mm	V2A (1.4301)	17007076
EA1.2	Individual drain DN 70, vertical	300x300 mm	V2A (1.4301)	17007077
EA1.3	Individual drain DN 70, vertical	300x300 mm	V2A (1.4301)	17007078
EA1.1	Individual drain DN 70, horizontal	300x300 mm	V2A (1.4301)	17007079
EA1.2	Individual drain DN 70, horizontal	300x300 mm	V2A (1.4301)	17007080
EA1.3	Individual drain DN 70, horizontal	300x300 mm	V2A (1.4301)	17007081
EA1.1	Individual drain DN 70, vertical	300x300 mm	V4A (1.4571)	17007111
EA1.2	Individual drain DN 70, vertical	300x300 mm	V4A (1.4571)	17007112
EA1.3	Individual drain DN 70, vertical	300x300 mm	V4A (1.4571)	17007113
EA1.1	Individual drain DN 70, horizontal	300x300 mm	V4A (1.4571)	17007114
EA1.2	Individual drain DN 70, horizontal	300x300 mm	V4A (1.4571)	17007115
EA1.3	Individual drain DN 70, horizontal	300x300 mm	V4A (1.4571)	17007116
EA2.1	Individual drain DN 70, vertical	200x200 mm	V2A (1.4301)	17007073
EA2.2	Individual drain DN 70, vertical	200x200 mm	V2A (1.4301)	17007074
EA2.3	Individual drain DN 70, vertical	200x200 mm	V2A (1.4301)	17007075
EA2.1	Individual drain DN 70, horizontal	200x200 mm	V2A (1.4301)	17007070
EA2.2	Individual drain DN 70, horizontal	200x200 mm	V2A (1.4301)	17007071
EA2.3	Individual drain DN 70, horizontal	200x200 mm	V2A (1.4301)	17007072
EA2.1	Individual drain DN 70, vertical	200x200 mm	V4A (1.4571)	17007108
EA2.2	Individual drain DN 70, vertical	200x200 mm	V4A (1.4571)	17007109
EA2.3	Individual drain DN 70, vertical	200x200 mm	V4A (1.4571)	17007110
EA2.1	Individual drain DN 70, horizontal	200x200 mm	V4A (1.4571)	17007105
EA2.2	Individual drain DN 70, horizontal	200x200 mm	V4A (1.4571)	17007106
EA2.3	Individual drain DN 70, horizontal	200x200 mm	V4A (1.4571)	17007107
EA1.1	Individual drain DN 100, vertical	300x300 mm	V2A (1.4301)	17007064
EA1.2	Individual drain DN 100, vertical	300x300 mm	V2A (1.4301)	17007065
EA1.3	Individual drain DN 100, vertical	300x300 mm	V2A (1.4301)	17007066
EA1.1	Individual drain DN 100, horizontal	300x300 mm	V2A (1.4301)	17007067
EA1.2	Individual drain DN 100, horizontal	300x300 mm	V2A (1.4301)	17007068
EA1.3	Individual drain DN 100, horizontal	300x300 mm	V2A (1.4301)	17007069
EA1.1	Individual drain DN 100, vertical	300x300 mm	V4A (1.4571)	17007099
EA1.2	Individual drain DN 100, vertical	300x300 mm	V4A (1.4571)	17007100
EA1.3	Individual drain DN 100, vertical	300x300 mm	V4A (1.4571)	17007101
EA1.1	Individual drain DN 100, horizontal	300x300 mm	V4A (1.4571)	17007102
EA1.2	Individual drain DN 100, horizontal	300x300 mm	V4A (1.4571)	17007103
EA1.3	Individual drain DN 100, horizontal	300x300 mm	V4A (1.4571)	17007104

Floor drain



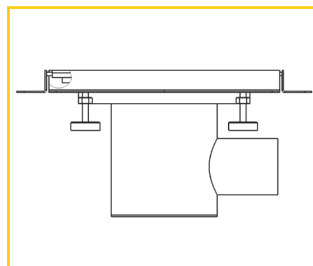
EA1.1

Single-part floor drain with wrap-around exposed step



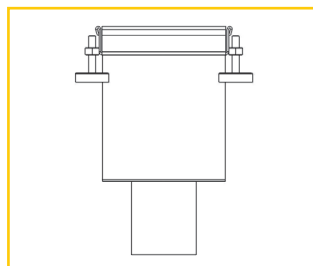
EA1.2

Single-part floor drain with wrap-around raised step and thin substrate flange



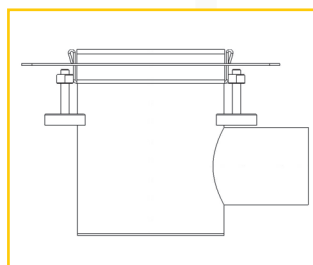
EA1.3

Single-part floor drain with wrap-around raised step and tile angle



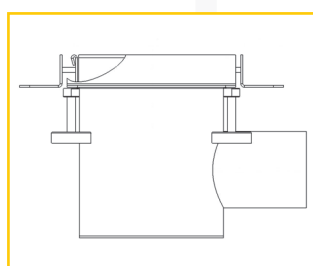
EA2.1

Single-part floor drain with crimped top edge



EA2.2

Single-part floor drain with crimped top edge and thin substrate flange

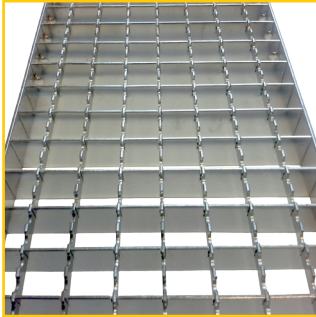


EA2.3

Single-part floor drain with crimped top edge and tile angle

Abdeckungen MVH-Ablaufkästen

Die MVH-Ablaufkästen werden im Standard mit folgenden Abdeckungen ausgeliefert:



Gitterrost
Maschenweite 23/23,
Belastungsklasse L15
 für Ablaufkästen 200x200 mm V2A
 Art.-Nr.: 12080010
 für Ablaufkästen 200x200 mm V4A
 Art.-Nr.: 12080029
 für Ablaufkästen 300x300 mm V2A
 Art.-Nr.: 12080009
 für Ablaufkästen 300x300 mm V4A
 Art.-Nr.: 12080030
 Weitere Maschenweiten und
 Belastungsklassen auf Anfrage.



Stabrostabdeckung 25/8
für extreme Belastungen
 für Ablaufkästen 200x200 mm V2A
 Art.-Nr.: 12080031
 für Ablaufkästen 200x200 mm V4A
 Art.-Nr.: 12080033
 für Ablaufkästen 300x300 mm V2A
 Art.-Nr.: 12080032
 für Ablaufkästen 300x300 mm V4A
 Art.-Nr.: 12080034
 Weitere Abdeckungen wie
 Lochroste oder Tränenblech-
 abdeckungen auf Anfrage.

Ersatzteile und Zubehör

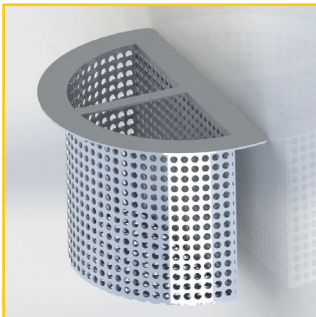


Abläufe DN 70
Schmutzeimer V2A, senkrecht:
 Art.-Nr. 17007127 V2A
Schmutzeimer V4A, senkrecht:
 Art.-Nr. 17007137 V4A

Abläufe DN 100
Schmutzeimer V2A, senkrecht:
 Art.-Nr. 17007130 V2A
Schmutzeimer V4A, senkrecht:
 Art.-Nr. 17007138 V4A

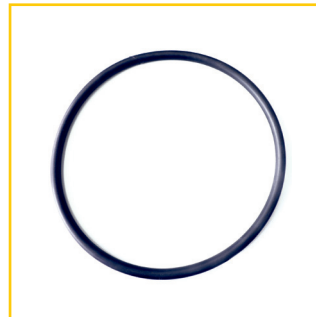


Lippendichtung
für Standrohr
 DN 70: Art.-Nr. 17007131
 DN 100: Art.-Nr. 17007132



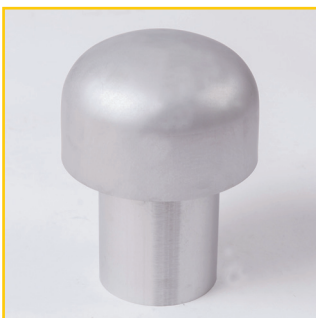
Abläufe DN 70
Schmutzeimer V2A, waagrecht:
 Art.-Nr. 17007128 V2A
Schmutzeimer V4A, waagrecht:
 Art.-Nr. 17007139 V4A

Abläufe DN 100
Schmutzeimer V2A, waagrecht:
 Art.-Nr. 17007129 V2A
Schmutzeimer V4A, waagrecht:
 Art.-Nr. 17007140 V4A



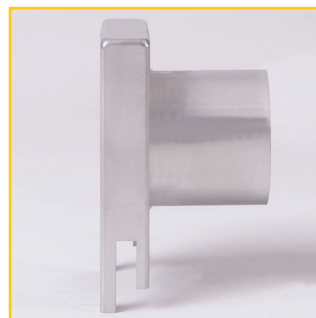
Rollring
 DN 70: Art.-Nr. 17007133
 DN 100: Art.-Nr. 17007134

Drainagering (o.Abb.)
 DN 70: Art.-Nr. 17007141
 DN 100: Art.-Nr. 17007142



Abläufe DN 70
Geruchsverschluss V2A, senkrecht:
 Art.-Nr. 17007148 V2A
Geruchsverschluss V4A, senkrecht:
 Art.-Nr. 17007149 V4A

Abläufe DN 100
Geruchsverschluss V2A, senkrecht:
 Art.-Nr. 17007150 V2A
Geruchsverschluss V4A, senkrecht:
 Art.-Nr. 17007151 V4A



Abläufe DN 70
Geruchsverschluss V2A, waagrecht:
 Art.-Nr. 17007152 V2A
Geruchsverschluss V4A, waagrecht:
 Art.-Nr. 17007155 V4A

Abläufe DN 100
Geruchsverschluss V2A, waagrecht:
 Art.-Nr. 17007153 V2A
Geruchsverschluss V4A, waagrecht:
 Art.-Nr. 17007154 V4A

Brandschutzmanschette BMR90 (o.Abb.):

DN 70: Art.-Nr. 17007156

DN 100: Art.-Nr. 17007144